

Rittal – The System.

Faster – better – worldwide.

- Enclosures
- Power Distribution
- Climate Control
- IT Infrastructure
- Software & Services

Rittal – The System.

Faster – better – worldwide.



Erdbeben-Kit
Earthquake kit
Equipement antisismique
Aardbevingskit
Jordbävningssats
Kit antisismico
Juego para zonas con
riesgo sismico

TS 8613.860

Montageanleitung
Assembly instructions
Notice de montage
Montagehandleiding
Montageanvisning
Istruzioni di montaggio
Instrucciones de montaje

11/15 A3171104TS

RITTAL GmbH & Co. KG
Postfach 1662 · D-35726 Herborn
Phone +49(0)2772 505-0 · Fax +49(0)2772 505-2319
E-mail: info@rittal.de · www.rittal.com



ENCLOSURES

POWER DISTRIBUTION

CLIMATE CONTROL

IT INFRASTRUCTURE

SOFTWARE & SERVICES

FRIEDHELM LOH GROUP

ENCLOSURES

POWER DISTRIBUTION

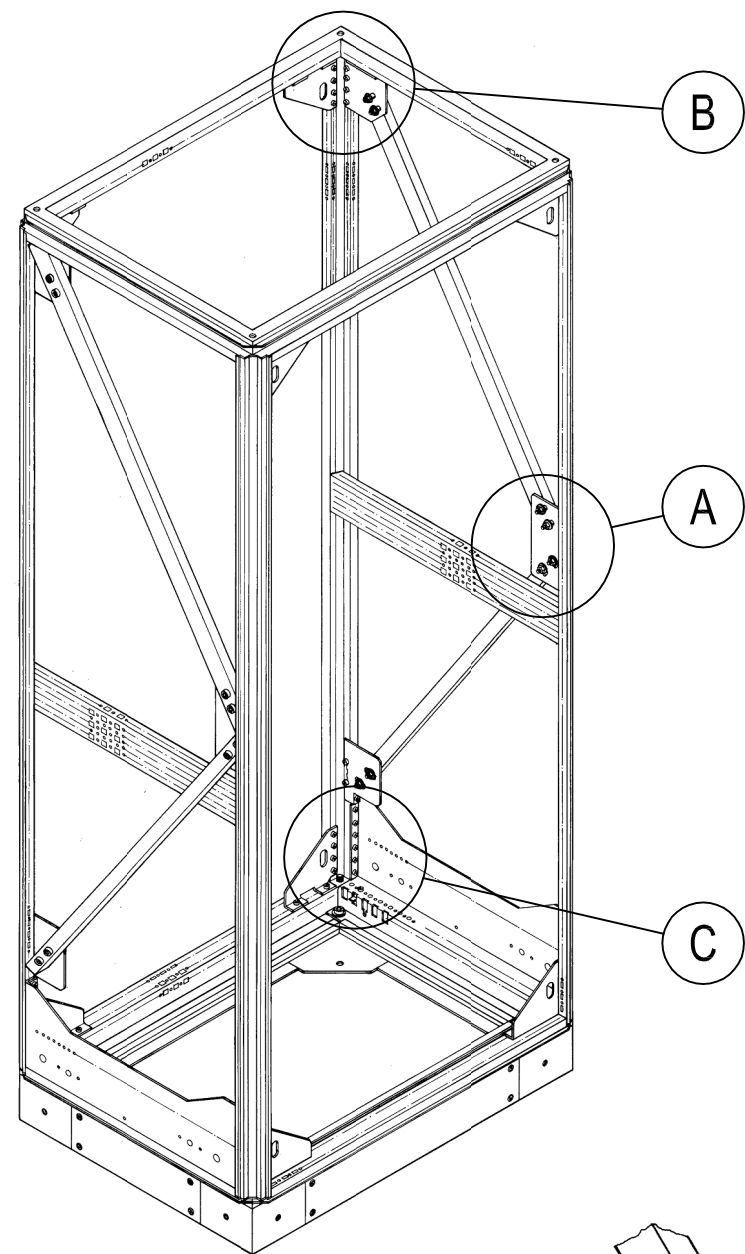
CLIMATE CONTROL

IT INFRASTRUCTURE

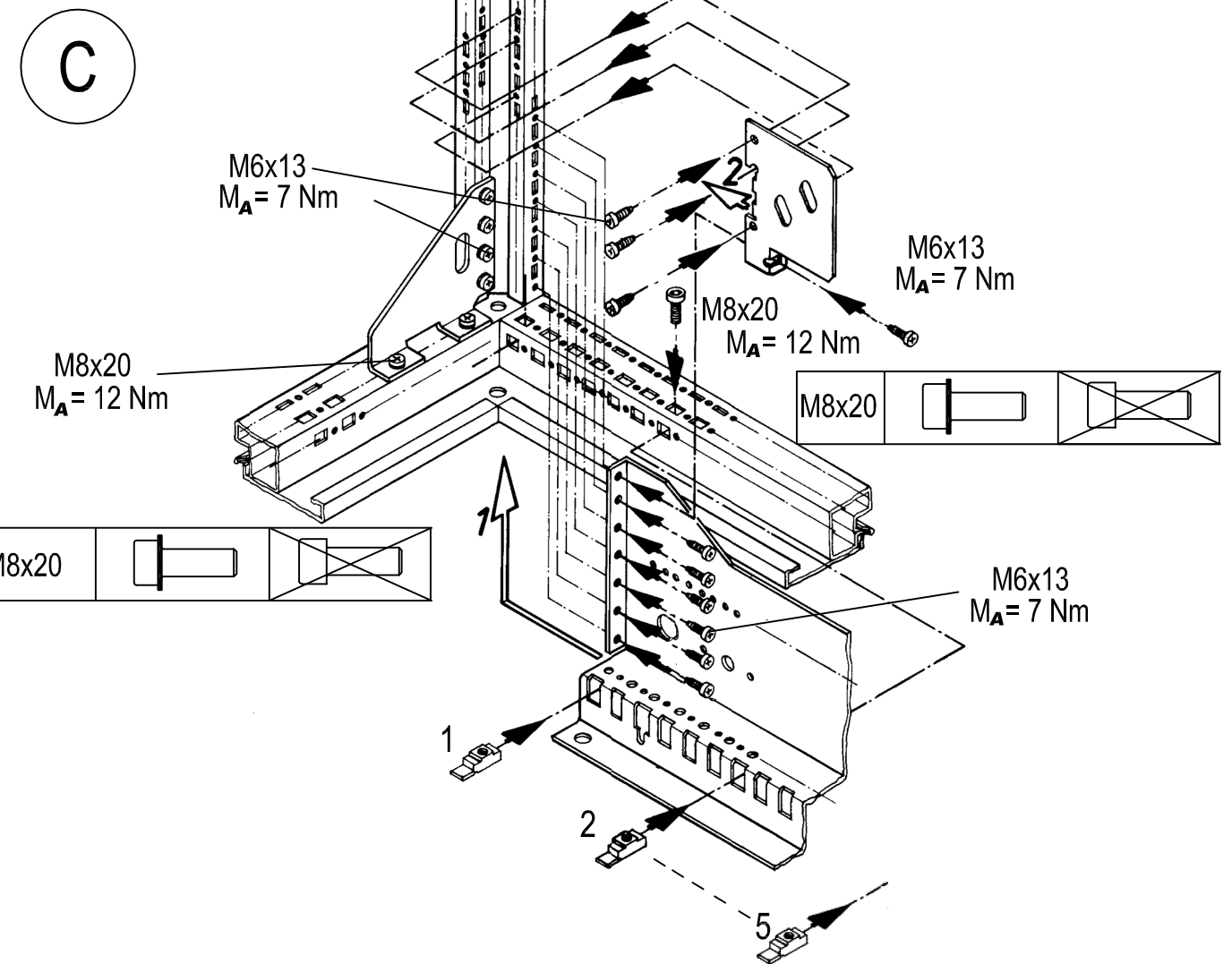
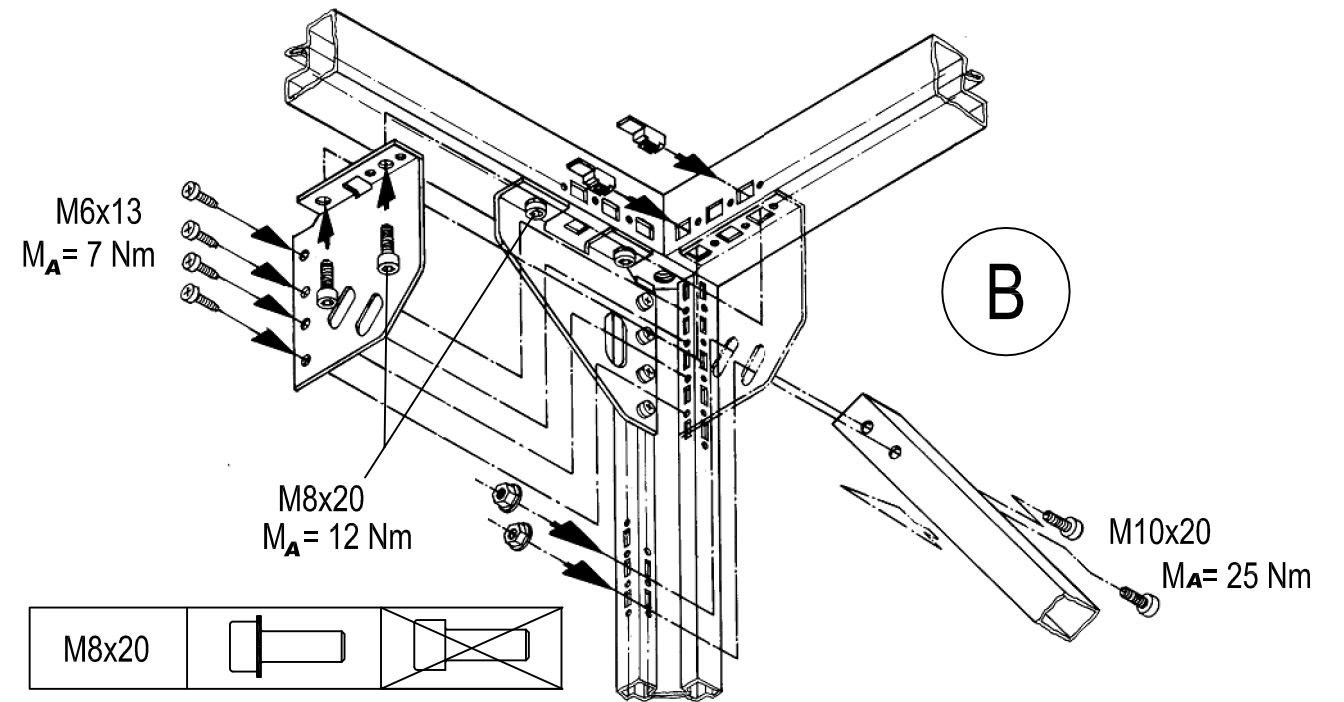
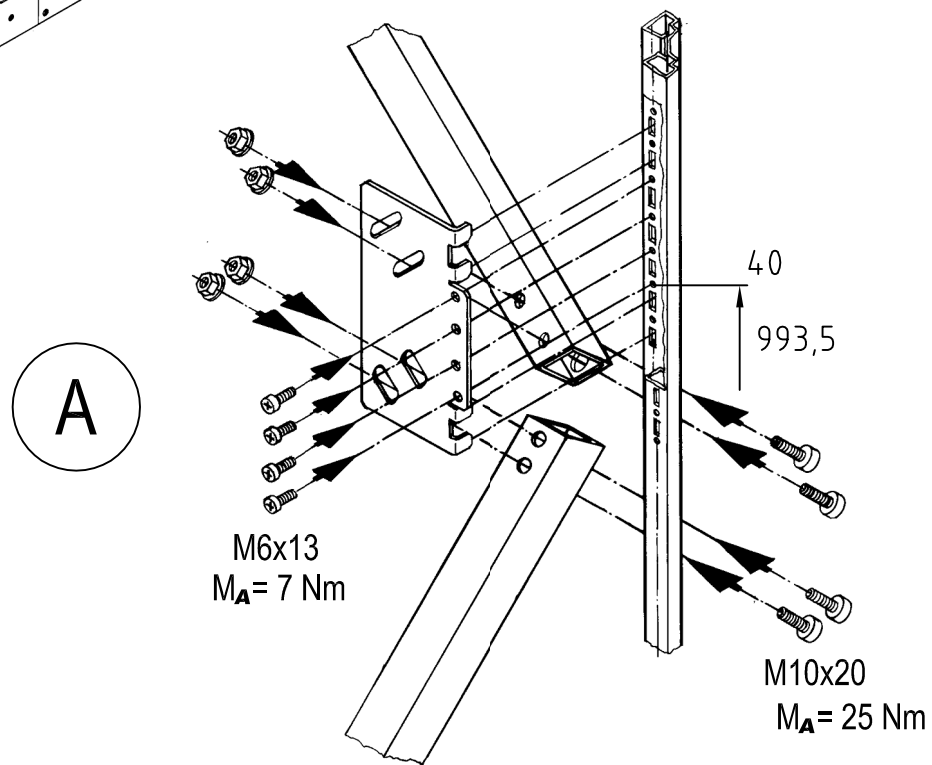
SOFTWARE & SERVICES

FRIEDHELM LOH GROUP

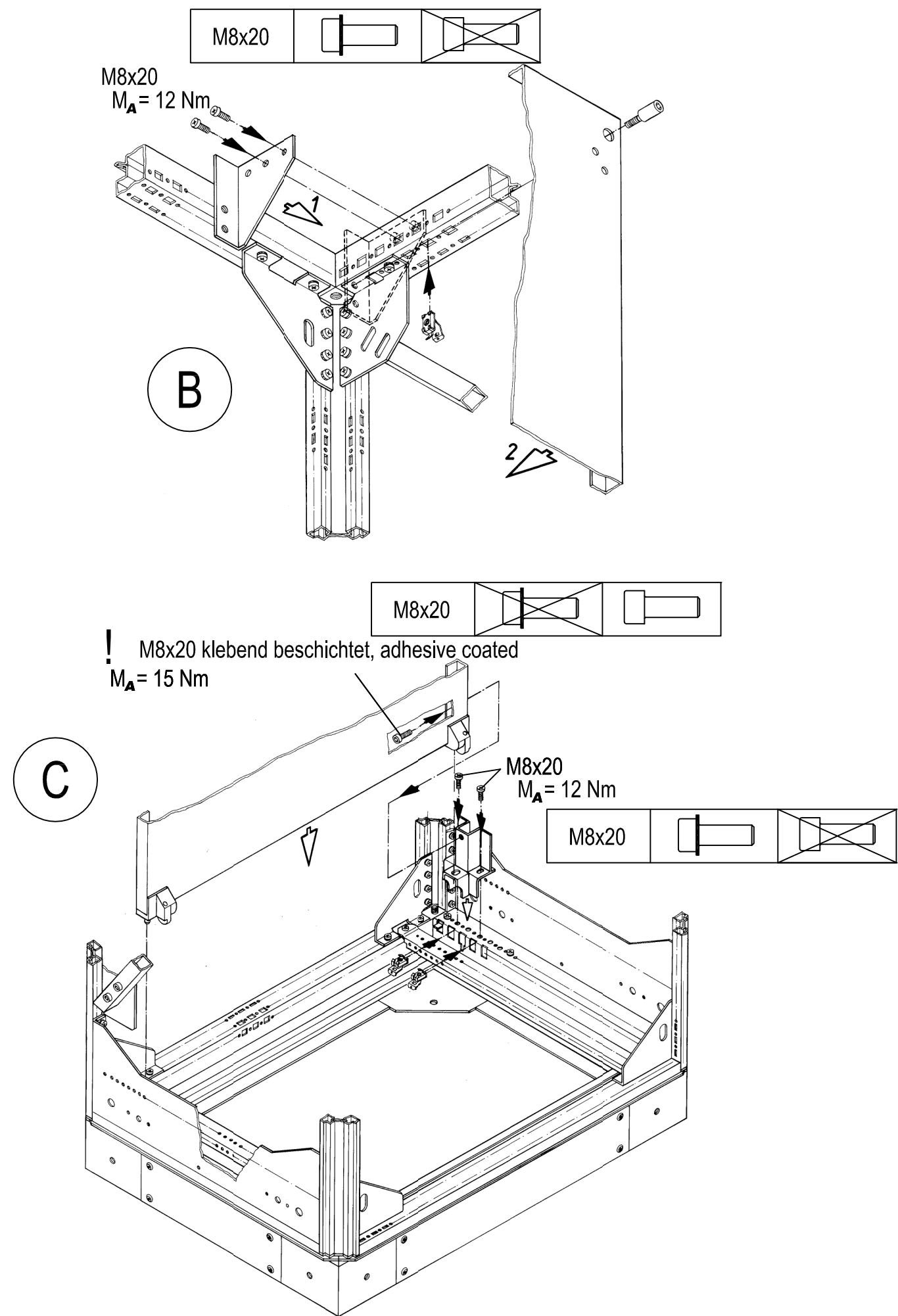
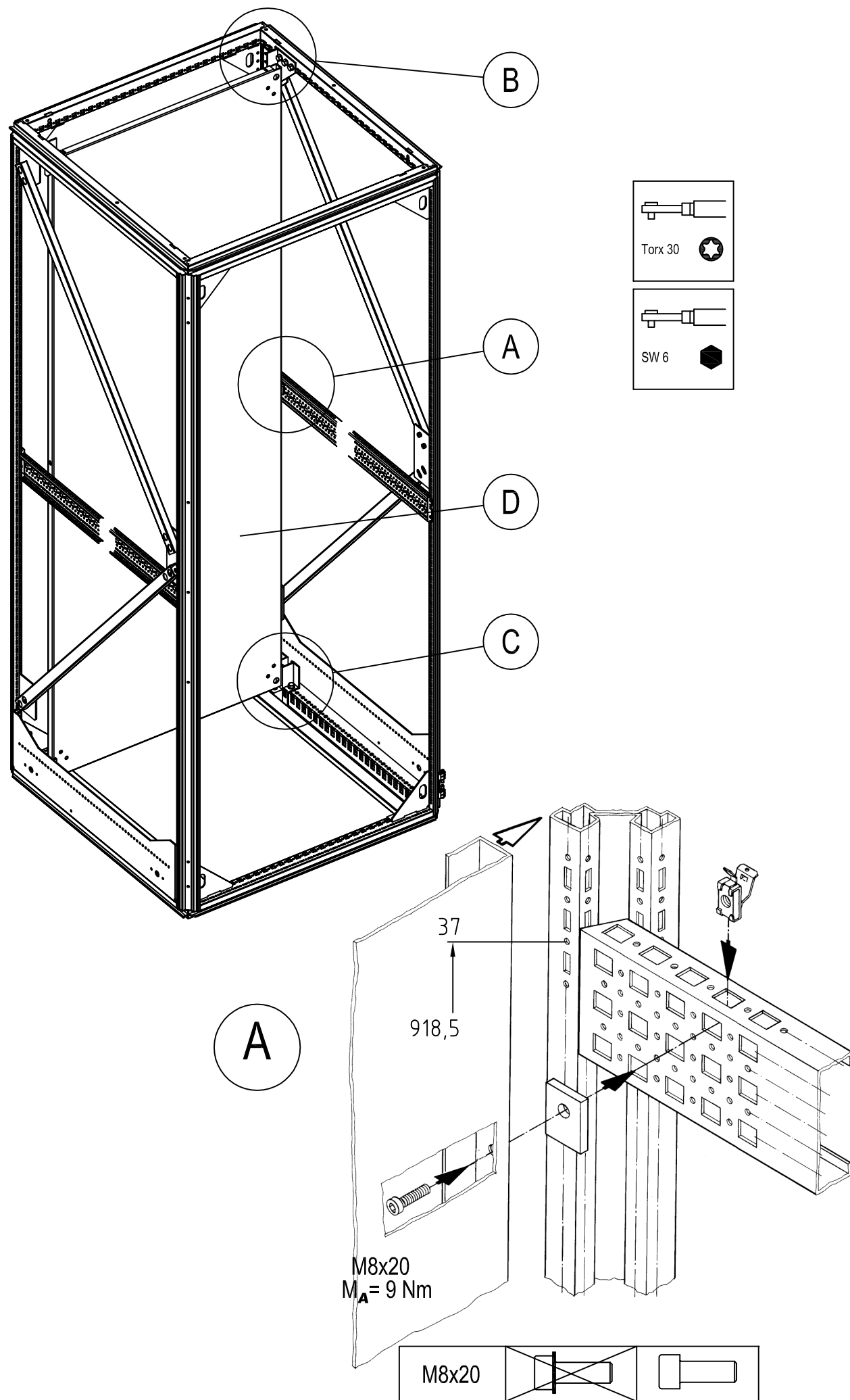


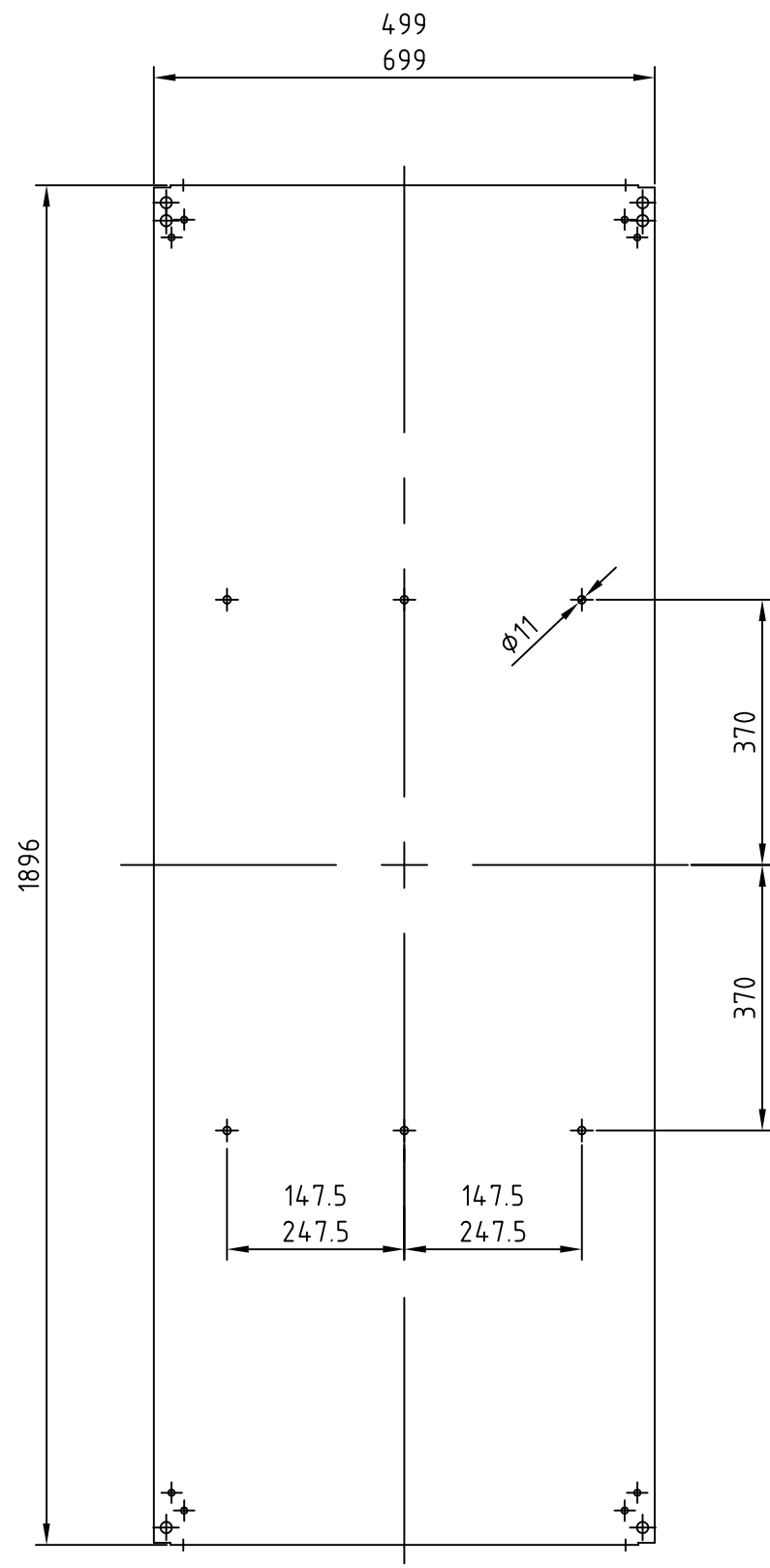


- Torx 25
- SW 6
- SW 8



Nach dem Transport sind alle Anzugsdrehmomente am Aufstellungsort erneut zu überprüfen.
 After transportation all tightening torques must be checked again at the final installation location.





D

